



P515-998

# SCHLAGE LiNK™ RP200 Light Module



### FOR INDOOR USE ONLY!

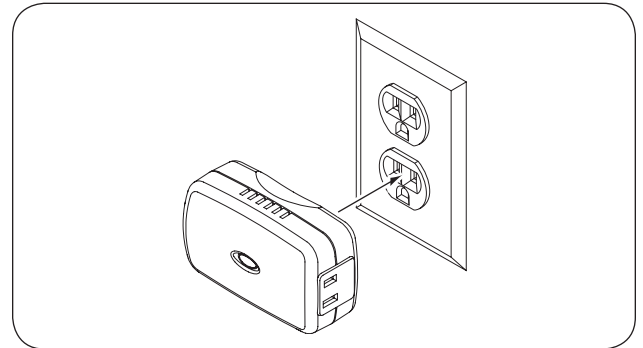
**DO NOT use with non-resistive loads, such as florescent lighting, CFL bulbs or motors.**

To reduce the risk of electric shock, this product has a grounding type plug that has a third (grounding) pin. This plug will only fit into a grounding type power outlet. If the plug does not fit into the outlet, contact a qualified electrician to install the proper outlet. Do not change the plug in any way.

Any modification or use other than described may damage the unit and will void the warranty.

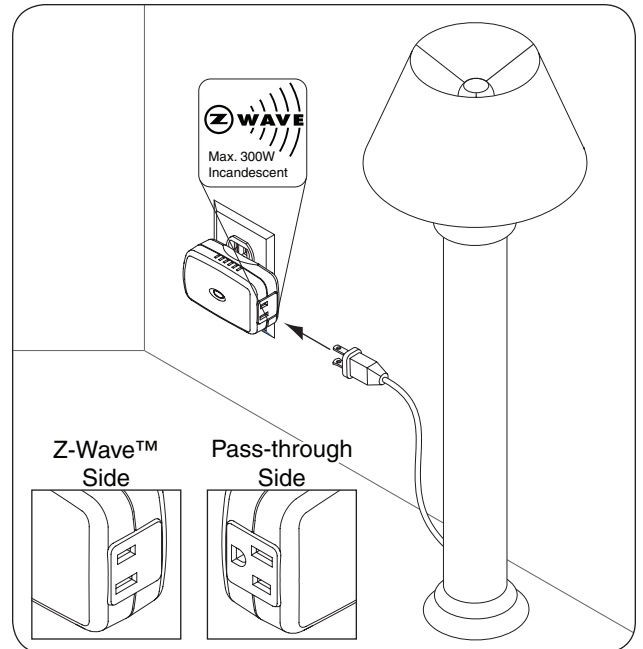
## 1 Install the light module.

- Install into any indoor, three-prong, 120 volt A/C outlet.



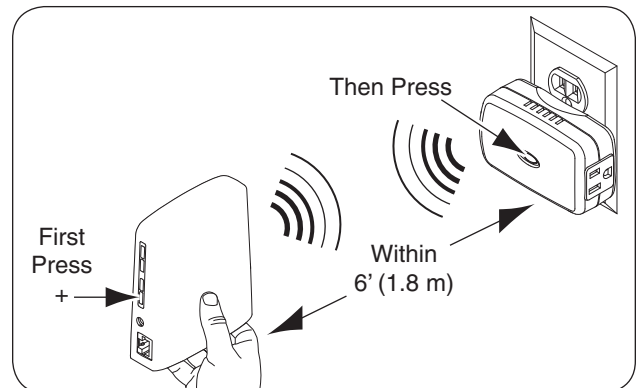
## 2 (Optional) Plug a lamp into the Z-Wave™ (two-prong) side of the light module.

- A lamp (25 watts minimum and 300 watts maximum) can be controlled through Z-Wave™ side of light module.
- DO NOT use a CFL (compact fluorescent light bulb).  
*The light module works like a dimmer switch and will not function properly with CFL and LED bulbs or electric devices with motors, like fans.*
- Make sure that lamp switch is in the ON position.
- Pass-through (three-prong) outlet (1500 watts maximum) is NOT controlled by the system and functions as a standard electrical outlet.



## 3 Enroll the light module into the bridge.

- Disconnect power and Ethernet from the bridge.
- Install a new 9 volt battery into the bridge.
- Hold the bridge within 6 feet (1.8 meters) of the light module throughout all of step 3.
- Press and release the plus (+) button on the bridge.
- Double-click the button on the light module.
- Observe the lights on bridge. The orange light will blink while enrollment is taking place. Enrollment is complete when the orange light becomes solid.
- Reconnect power and Ethernet to the bridge.



## 4 Log into your account at [www.schlagelink.com](http://www.schlagelink.com).

- Click the Lighting & Automation tab.
- The newly enrolled light module will be displayed.



### Specifications

- Power 120 VAC, 60 Hz
- Signal (Frequency) 908.42 MHz

### Software Fuse

The RP200 is designed to protect itself against loads that exceed its maximum power rating. The application of a load that exceeds that rating is quickly sensed by the dimmer and it responds by immediately shutting off all power to that load. If the dimmer doesn't seem to work, or if it only works momentarily, check to see that the total light wattage doesn't exceed the 300W rating of the RP200. If a properly sized load is restored to the dimmer, it can be operated normally once again.

### Over-current protection

The RP200 hardware has an over current detection circuit, which is final protection against overload. If the software fuse should fail to shut down the dimmer when overloaded, backup protection is provided by an internal fuse. This fuse is not user serviceable. Check your home circuit breakers before concluding that the product must be returned to the manufacturer for repair at a nominal charge.

### FCC NOTICE

Note: This equipment has been tested and found to comply with the limits for a Class B digital device, pursuant to part 15 of the FCC Rules. These limits are designed to provide reasonable protection against harmful interference in a residential installation. This equipment generates, uses, and can radiate radio frequency energy and, if not installed and used in accordance with the instructions may cause harmful interference to radio communications. However, there is no guarantee that interference will not occur in a particular installation. If this equipment does cause harmful interference to radio or television reception, which can be determined by turning the equipment off and on, the user is encouraged to try to correct the interference by one or more of the following measures:

- Reorient or relocate the receiving antenna.
- Increase the separation between the equipment and receiver.
- Connect the equipment into an outlet on a circuit different from that to which the receiver is connected.
- Consult the dealer or an experienced radio/TV technician for help.



### IC NOTICE

This Class B digital apparatus complies with Canadian ICES-003.

Cet appareil numérique de la classe B est conforme à la norme NMB-003 du Canada.

Operation is subject to the following two conditions: (1) this device may not cause interference, and (2) this device must accept any interference, including interference that may cause undesired operation of the device.



Industry  
Canada

Industrie  
Canada

### About RP200's Certification

In addition to compliance with product safety standards, the RP200 is also certified to comply with applicable FCC and IC rules and regulations governing RF and EMI emissions.

### Customer Service: (877) 288-7707 (U.S.A. /Canada)

Warranty information is available at [www.part2.schlage.com](http://www.part2.schlage.com).

